



A3-USA Screw Screens

With Available Compactor & Tank

Wastewater Equipment

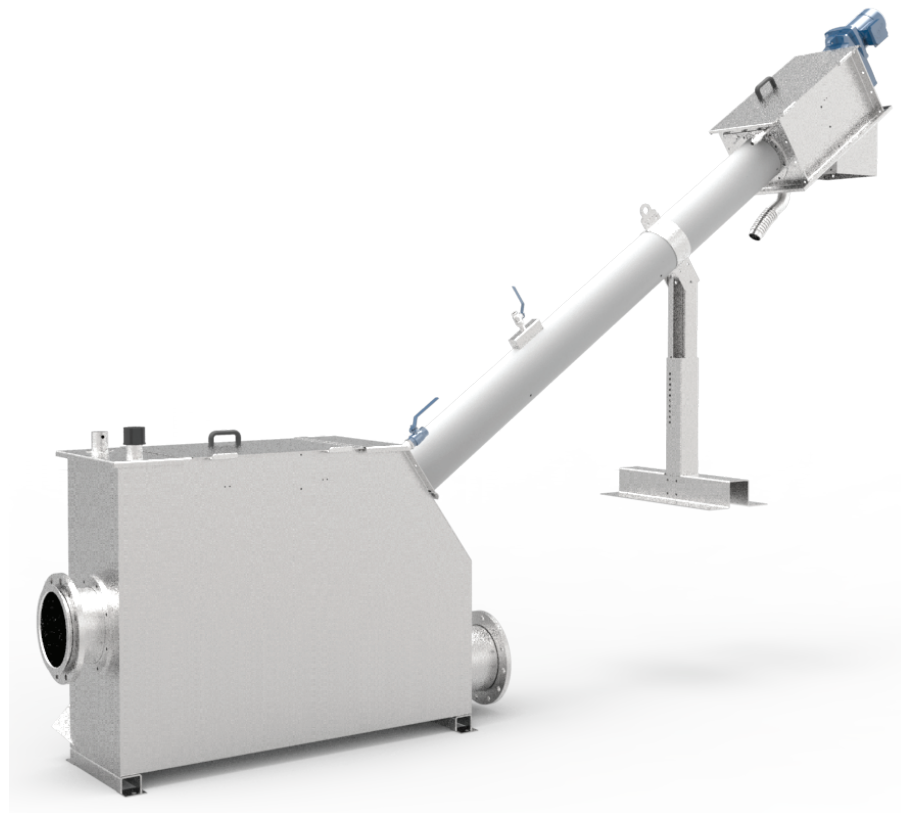
SIS Shaftless Inclined Screw Screen

Screw Fine Screens

The A3 shaftless inclined screw screen is either installed in a concrete channel (see right) or is provided with a stainless steel tank (see below).

Incoming wastewater passes through the open end of a tubular screening basket (perforated plate or wedge wire) trapping solids on the inside surface of the basket. The solids are transported to the discharge at the top of the screen by a shaftless screw. The screw is equipped with brushes to clean the screen. As solids blind the screen, water levels rise and activate the transport screw. The washing system can also be operated automatically or manually.

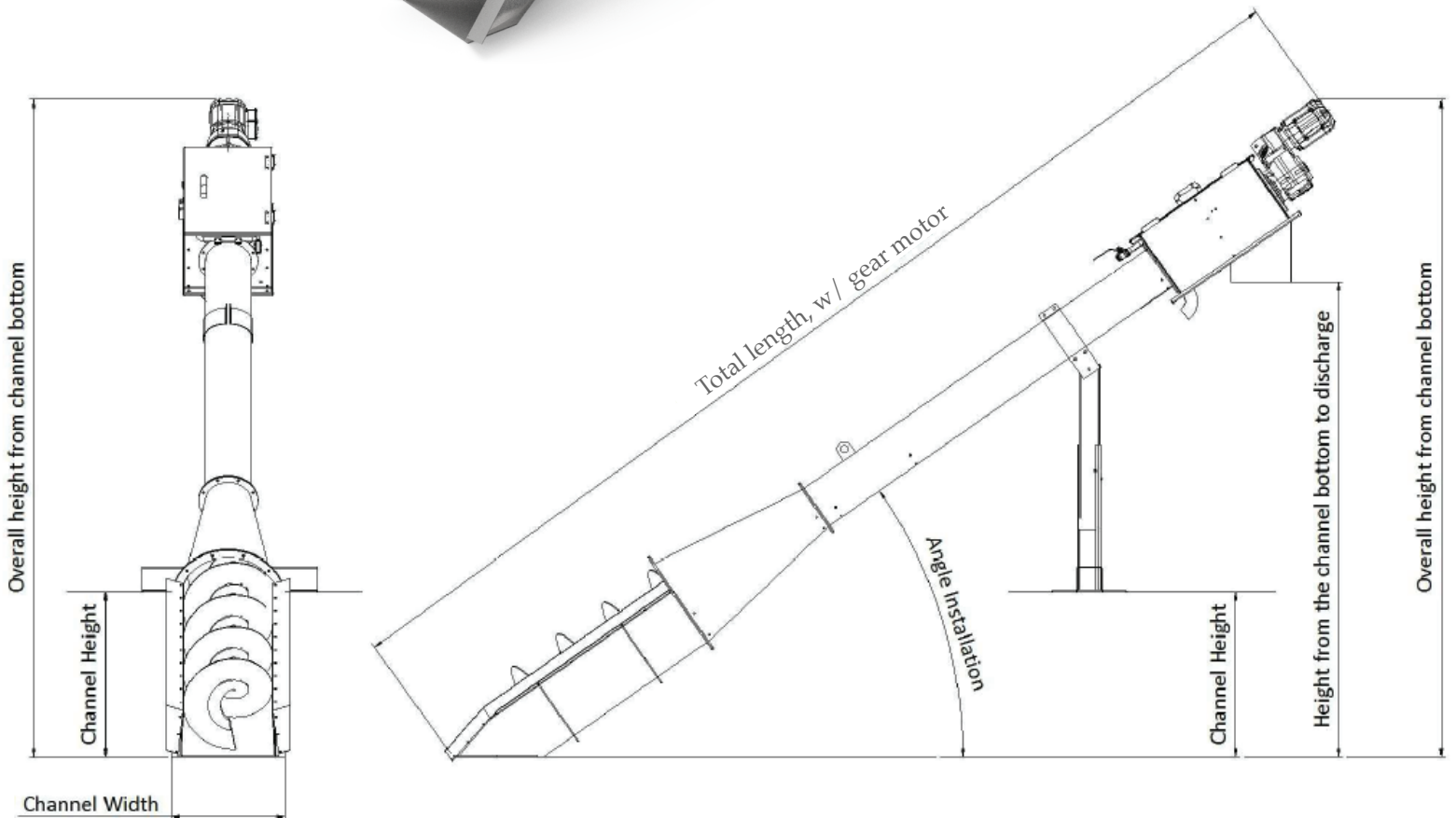
A compactor zone, located ahead of the solids discharge, reduces the volume of filtrate up to 50%.



- Flow range up to 5 mgd (depending on mesh size)
- Screen size from 0.25 mm to 8 mm
- 304/316 construction

Screw screens are also available with a tank for non-channel applications

Shaftless Inclined Screw Screen - Dimensions



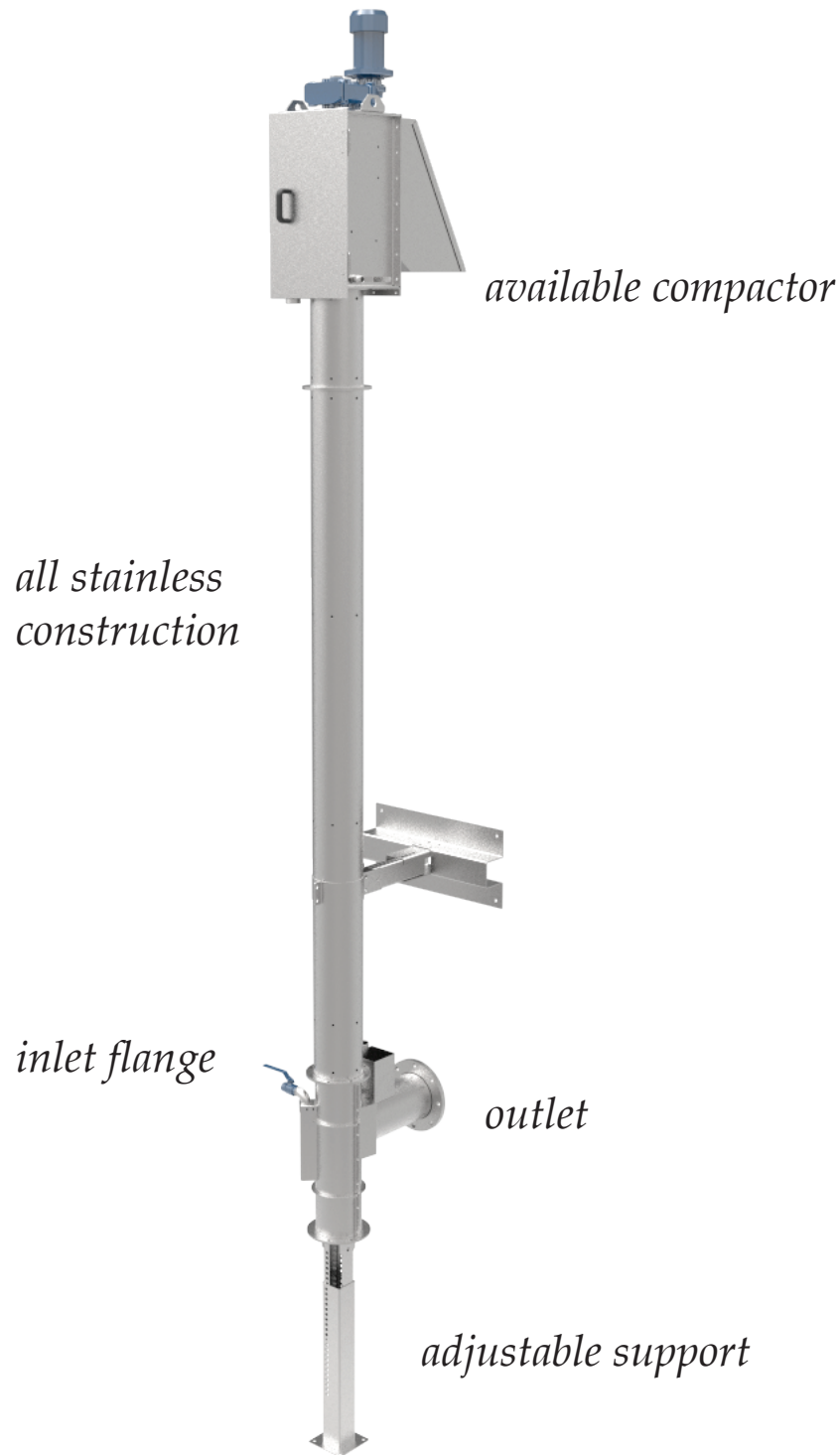
Model	SIS - 1	SIS - 2	SIS - 3	SIS - 4	SIS - 5	SIS - 6
Total length	211	211	213	213	229	243
Channel height	31	31	31	31	31	39
Ideal channel width	10	14	18	22	26	30
Ideal angle installation	35-45°	35-45°	35-45°	35-45°	35-45°	35-45°

all dimensions in inches

SVS Vertical Screw Screen

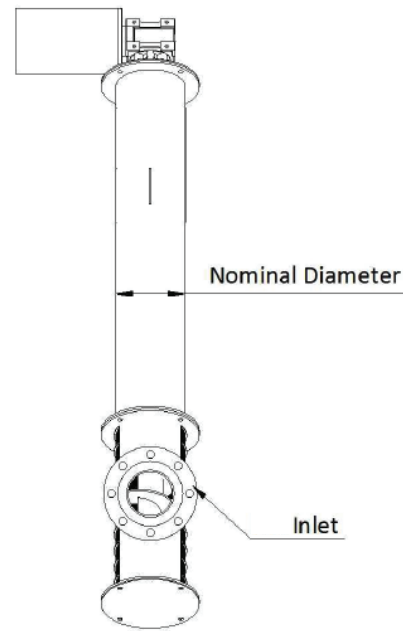
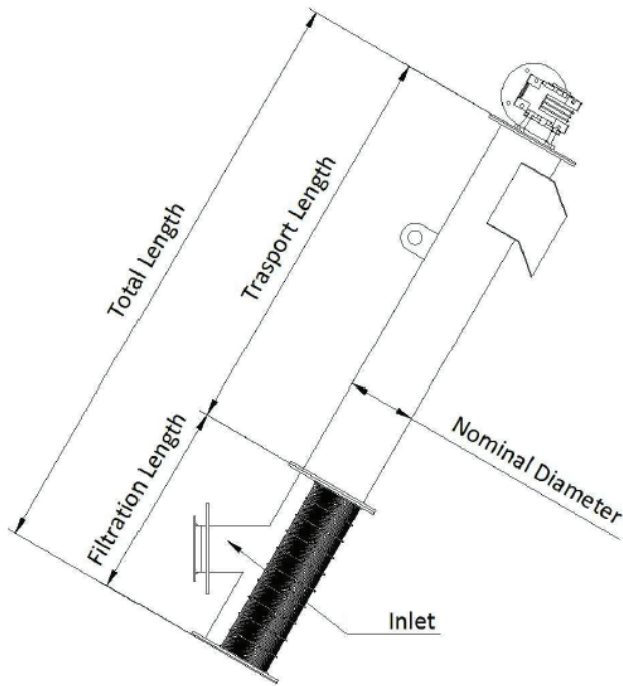
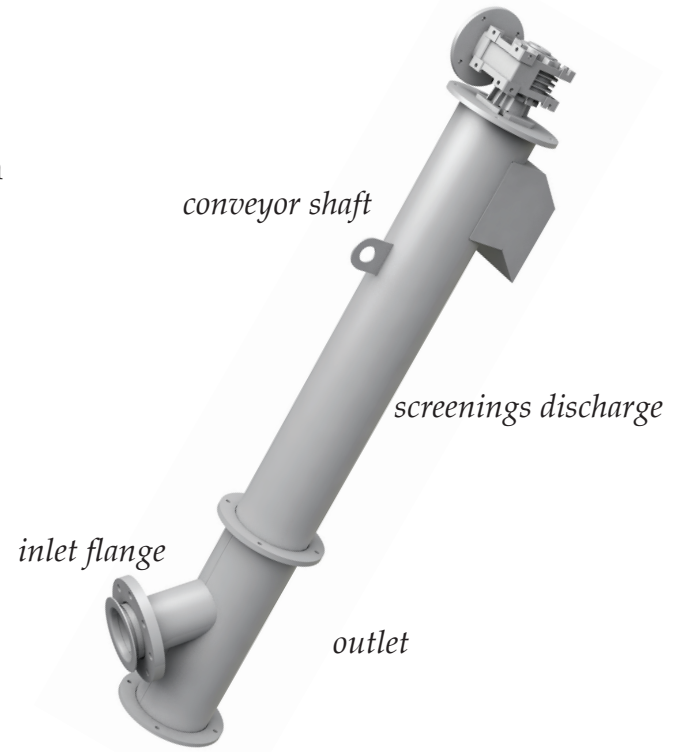
The shaftless vertical fine screen is a variant developed for vertical installation and offers the same efficient and durable functions and benefits of the inclined screw screen.

The SVS screen can be delivered with a flanged connection for pump stations, and comes with an adjustable support to allow for properly supported placement.



SCS Compact Screw Screen

A3 offers a compact version of the screw screen for small pump stations and small decentralized wastewater treatment systems. This compact screen is provided with flanged connections. Solids that are captured inside the screening basket are transported via a screw to the discharge chute. The screw is equipped with brushes for cleaning purposes.



Model	SCS - 1	SCS - 2
Nominal Diameter	NPS6	NPS8
Total Length (w/o gear motor)	57	88
Transport Length	39	59
Filtration Length	19	29
Inlet	NPS4	NPS6



*Please contact us at
sales@a3-usa.com or
412.849.6136*

*Find more information online at:
www.a3-usa.com*