



A3-USA Sludge Dewatering

www.a3-usa.com

Wastewater Equipment

A3 Screw Press

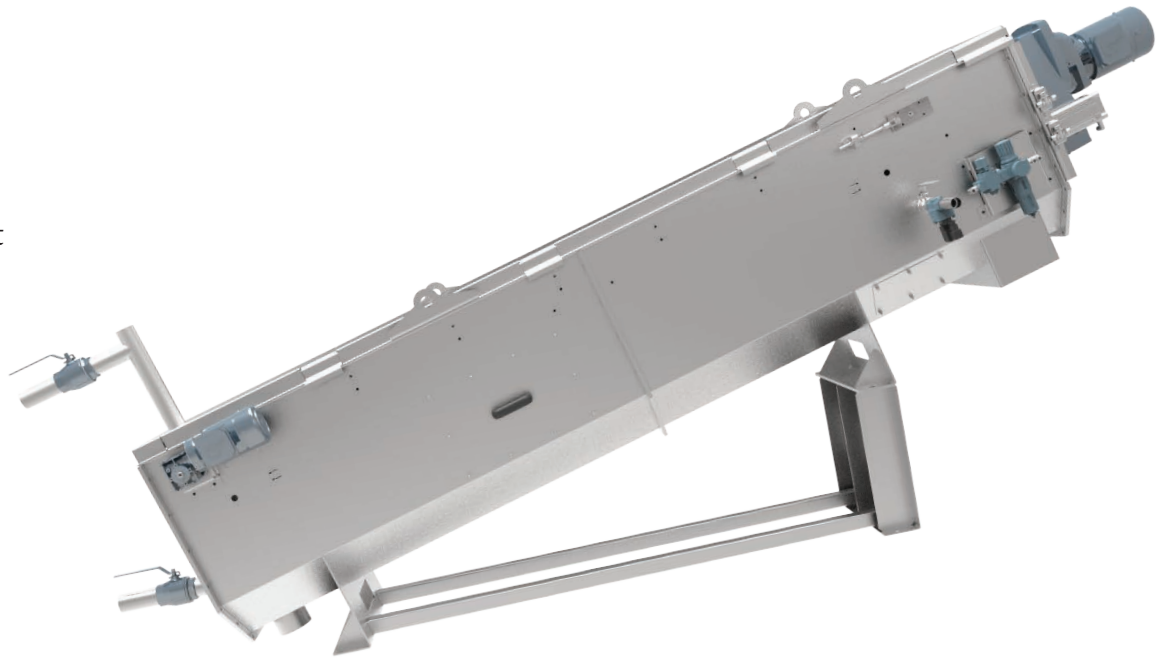
Small capacity screw press; 2-45 gpm

The A3 sludge dewatering screw press is the most economical and compact screw press available, with capacities ranging from 2-45 gpm. designed to dewater municipal and industrial sludge in the range of 0.6– 5% solids to achieve a product containing 18-25% solids.

The press utilizes an auger with a tapered shaft that rotates inside a stationary wedge wire drum screen. Sludge is pumped to the inlet end of the press. The auger transports and presses the sludge against the drum screen. A horizontal discharge cone automatically adjusts to maximize

The press employs an automatic cleaning system consisting of water nozzles attached to a concentric ring that traverses the length of the press.

The nozzles, combined with brushes mounted on the auger flights, continuously clean the screen.



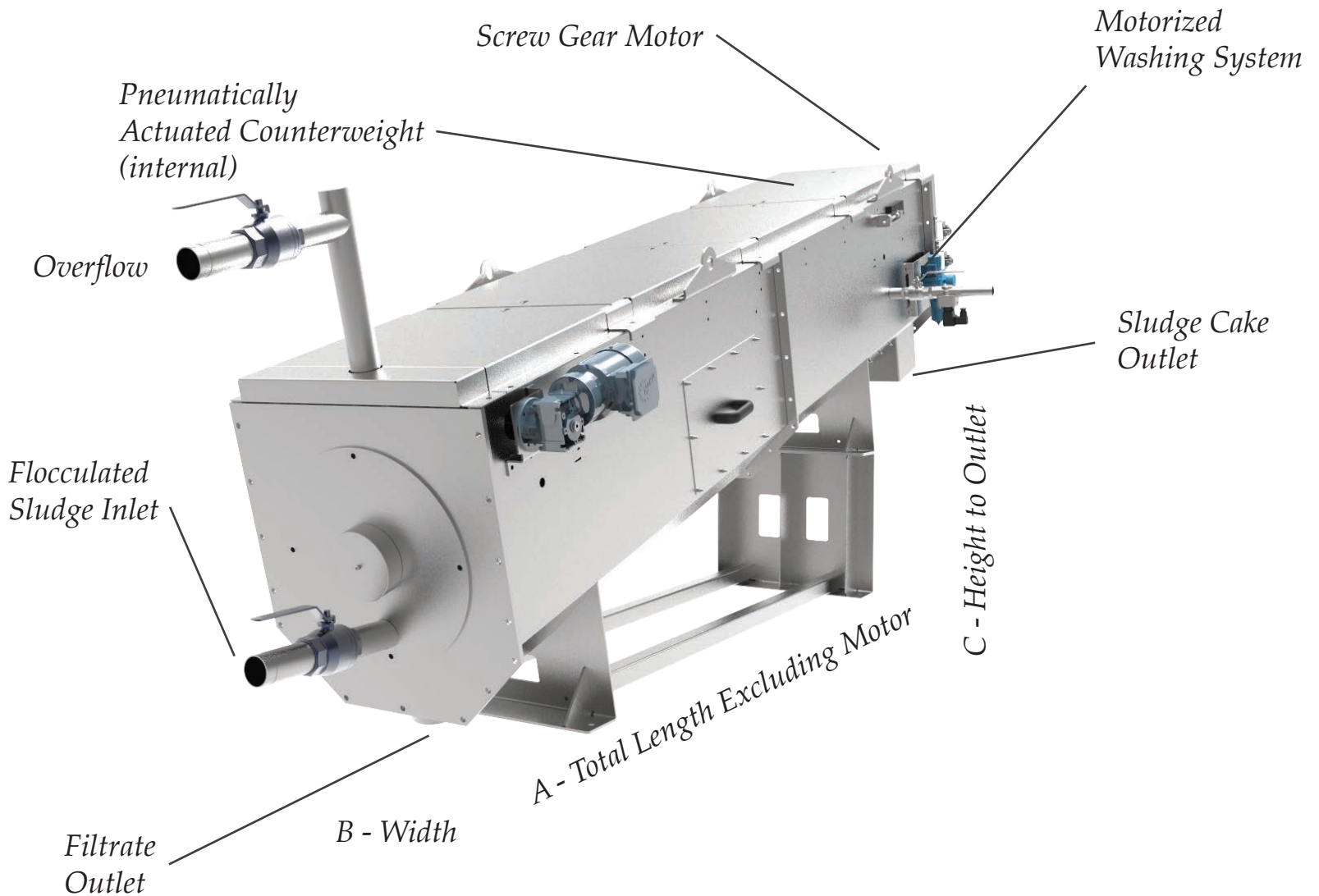
- Very small sizes available (2 gpm)
- Custom skids w/ polymer & control panel as needed
- Fully automated operation
- Automatic washing system for reduced clogging
- Full enclosure reduces odor
- Removable covers for ease of maintenance
- 100% 304/316L stainless steel, passivated & pickled
- Low RPM (low wear)
- Low energy consumption
- Automatic discharge cone adjustment maximizes performance



Automated Cleaning System

Screw Press - Design Parameters & Dimensions

Model	Weight (lb)	Power (hp)	Max inlet flow (GPM)	Inlet solids %
SP-1	550	0.5	4	0.6-5
SP-2	875	0.8	8	0.6-5
SP-3	1,450	1.0	18	0.6-5
SP-4	2,250	1.5	33	0.6-5
SP-5	3,000	2.0	45	0.6-5



Model	A	B	C
SP-1	106	24	24
SP-2	118	32	28
SP-3	146	43	35
SP-4	177	52	41
SP-5	177	61	41

All dimensions in inches

Screw Press - Photos



Municipal Sludge Press



Food Processing Press



Pressed Sludge



Winery Press



*Please contact us at
sales@a3-usa.com or
412.849.6136*

*Find more information online at:
www.a3-usa.com*